



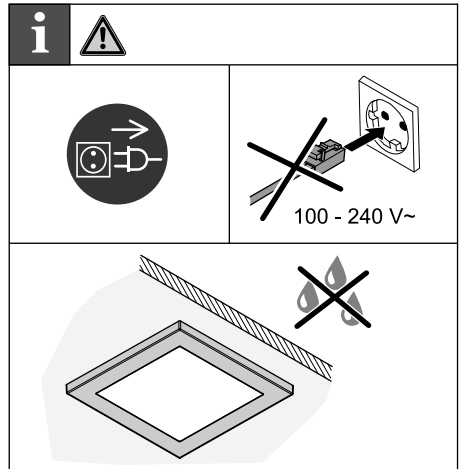
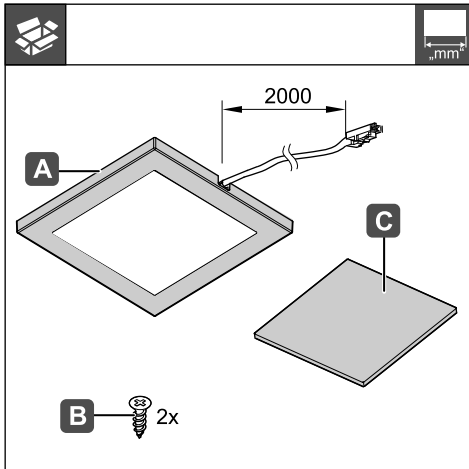
**LED 2051**  
**LED 3036**

**833.74.030**  
**833.74.031**

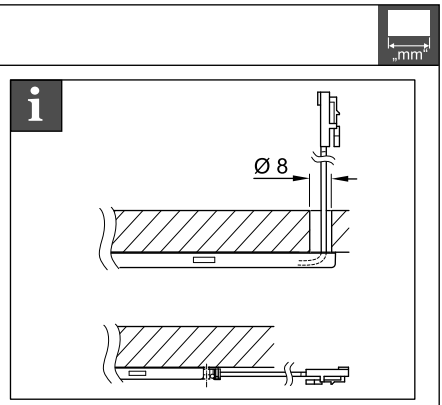
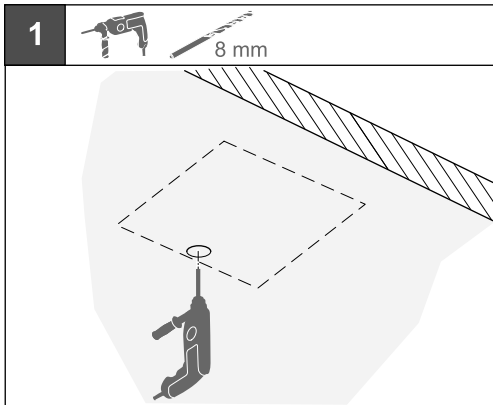
**833.77.180**  
**833.77.181**

12 V System	24 V System	K	W	T <sub>A</sub>	mm	mm	
833.74.030	3000 K	2.5 W	-20 °C – +45 °C -4 °F – +113 °F	65 x 65 x 6	≥ 75 x 75 x 16	Loox <b>12 V</b>	
833.74.031	4000 K					Loox <b>24 V</b>	
833.77.180	3000 K						
833.77.181	4000 K						

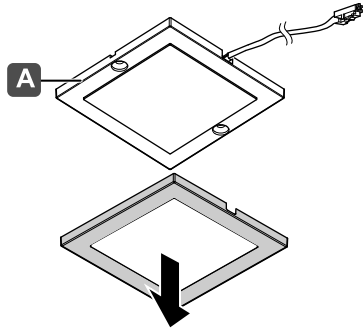
732.26.224



HDE 04/2017



2



3A

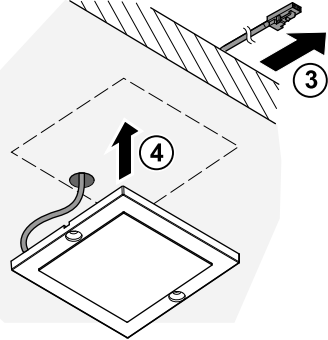
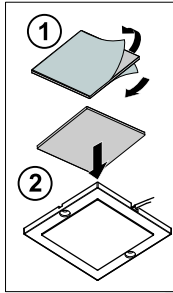
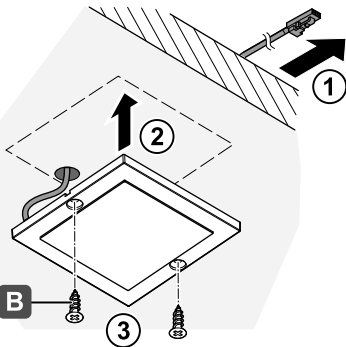
2x **B**



3B

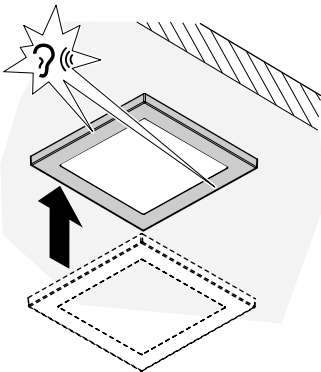


**C**

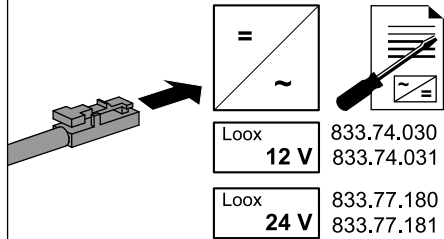


732.26.224

4



5



HDE 04/2017